



Electrolux
PROFESSIONAL

**Modular Cooking Range Line
thermaline 85 - 800 mm Electric
Warming Cabinet with 2 doors, GN
conform, 1 Side (H2)**

ITEM # _____

MODEL # _____

NAME # _____

SIS # _____

AIA # _____



588653 Electric Warming Cabinet with 2 doors, one-
(MB4HCAHOAO) side operated, GN - H2

Short Form Specification

Item No. _____

800 mm wide warming cabinet with 2 doors. Internal frame for heavy duty sturdiness in stainless steel. Flat surface construction, easily cleanable. Temperature in the cabinet can be set through thermostat, up to a maximum of 110 °C. Cabinet storage space accepts GN 1/1 containers.

IPX5 water resistant certification.

Configuration: One side operated freestanding base, hygienic class H2.

Main Features

- All major components may be easily accessed from the front.
- THERMODUL connection system creates a seamless work top when units are connected to each other thus avoiding soil penetrating vital components and facilitating the removal of units in case of replacement or service.
- Temperature in the cupboard can be set through a thermostat to suit different requirements. The maximum temperature is 110° C.
- Unit constructed according to DIN 18860_2 with 70 mm recessed plinth.
- Unit can be installed below modular top appliances, designed to keep plates warm.

Construction

- IPX5 water resistance certification.
- 2 mm top in 1.4301 (AISI 304).
- Flat surface construction with minimal hidden areas to easily clean all surfaces
- Storage space in the base of the appliance accepts GN1/1 containers.
- Internal frame for heavy duty sturdiness in stainless steel.

Optional Accessories

- Stainless steel front kicking strip, 800mm width PNC 912634
- Stainless steel side kicking strip left and right, wall mounted, 850mm width PNC 912659
- Stainless steel side kicking strip left and right, back-to-back, 1700mm width PNC 912662
- Stainless steel side panel, 850x700mm, right side, against wall PNC 913003
- Stainless steel side panel, 850x700mm, left side, against wall PNC 913004
- Perforated shelf for warming cabinets and cupboard bases (one-side operated TL80-85-90 and two-side operated for TL80) PNC 913234
- Energy optimizer kit 14A - factory fitted PNC 913244
- Side reinforced panel only in combination with side shelf, for against the wall installations, right PNC 913261
- Side reinforced panel only in combination with side shelf, for against the wall installations, left PNC 913262
- Shelf fixation for TL80-85-90 one-side operated, TL80 two-side operated PNC 913281

APPROVAL: _____



Experience the Excellence
www.electroluxprofessional.com



Electrolux
PROFESSIONAL

**Modular Cooking Range Line
thermaline 85 - 800 mm Electric Warming
Cabinet with 2 doors, GN conform, 1 Side (H2)**

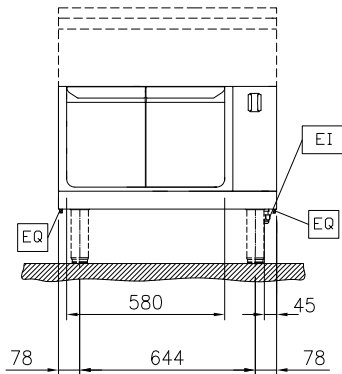
- Stainless steel dividing panel, 850x700mm, (it should only be used between Electrolux Professional thermaline Modular 85 and thermaline C85) PNC 913670
- Stainless steel side panel, 850x700mm, flush-fitting (it should only be used against the wall, against a niche and in between Electrolux Professional thermaline and ProThermetic appliances and external appliances - provided that these have at least the same dimensions) PNC 913686



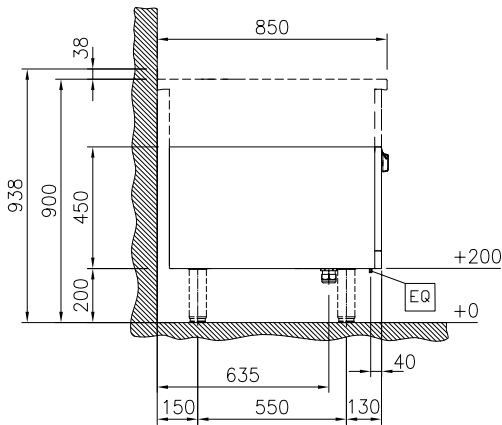
**Modular Cooking Range Line
thermaline 85 - 800 mm Electric Warming Cabinet with 2 doors, GN
conform, 1 Side (H2)**
The company reserves the right to make modifications to the products
without prior notice. All information correct at time of printing.

2024.11.05

Front

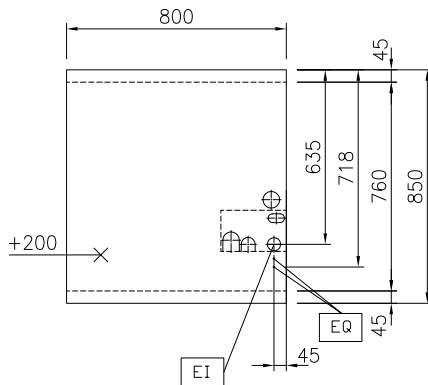


Side



EI = Electrical inlet (power)

Top



Key Information:

| | |
|--------------------------------------|-----------|
| External dimensions, Width: | 800 mm |
| External dimensions, Depth: | 850 mm |
| External dimensions, Height: | 450 mm |
| Cupboard Cavity Dimensions (width): | 580 mm |
| Cupboard Cavity Dimensions (height): | 330 mm |
| Cupboard Cavity Dimensions (depth): | 715 mm |
| Cabinet temperature range: | 30-110 °C |
| Net weight: | 29 kg |

Sustainability

Current consumption:

588653 (MB4HCAHOAO) 5 Amps